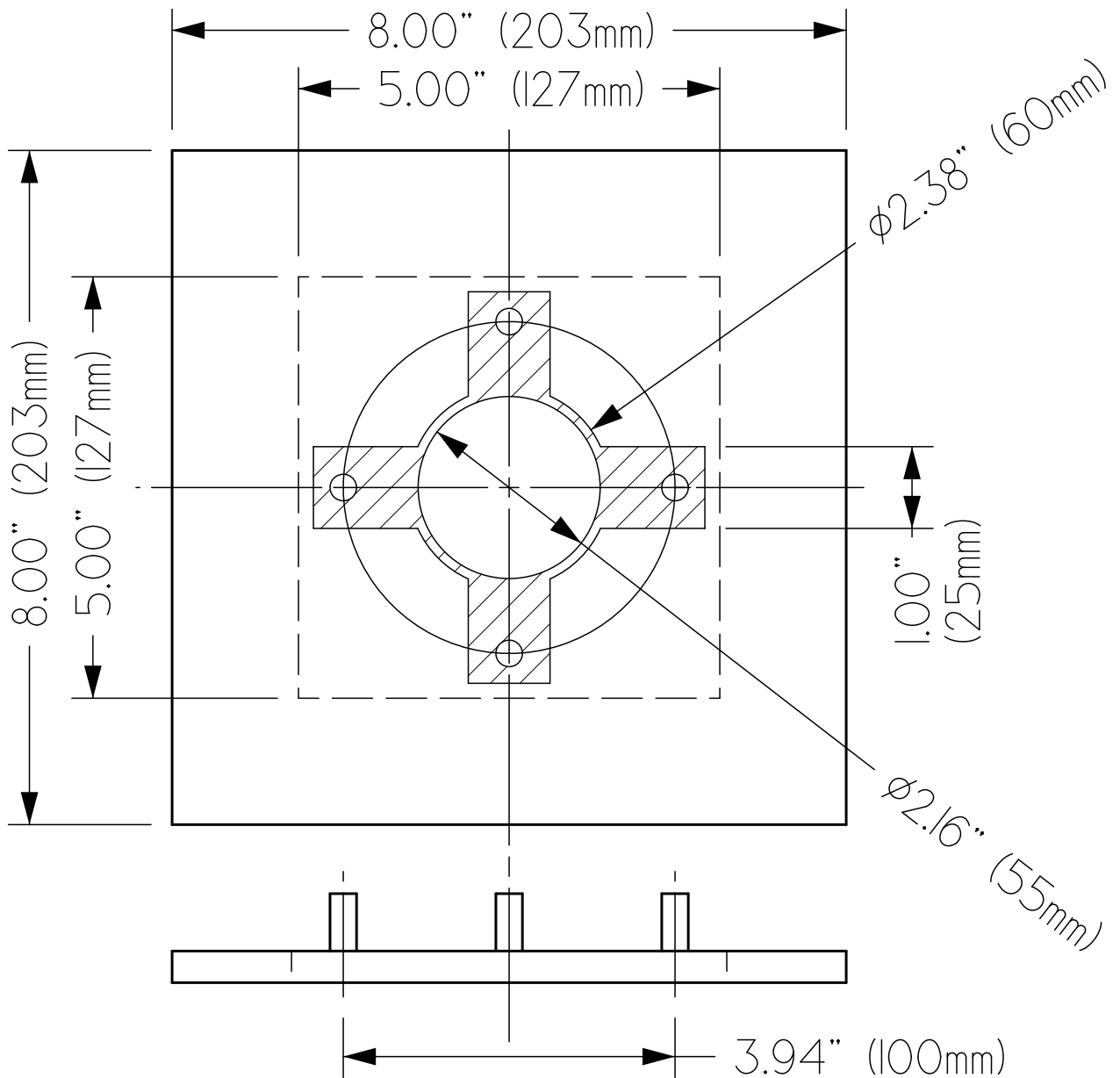


# 5" OR 8" FLOOD FED BLENDER MOUNTING PLATE



3/8" (9.5 mm) ALUMINUM PLATE IS REMOVABLE FOR BORING BY CUSTOMER (AVOID HATCHED AREA WHICH IS WHERE BLENDER BASE CASTING MOUNTS USING THE FOUR M8 STUDS PROVIDED ON THE PLATE)

MtFlange 2000-08-29



SCALE = 50%